

# Datasheet

## Mobile Power Supply

### MPS-2301000

#### Output

##### AC

Output Voltage:	230 V AC $\pm$ 3%
Output Frequency:	50 Hz $\pm$ 0.5Hz
Output Power:	1000 W (Pure Sine Wave)
Peak Output Power:	1200 W

##### DC

4xUSB Port:	2 x 5V - 3A and 2 x 5V - 3A
1x12V Car Port:	5 – 20 V (default 5 V) 3 A to 10 V – 2.25 A
1xcigarette lighter port:	12.2 V – 9 A

#### Input (Charge)

##### Approximate charge times

AC Wall Charger (120W):	8 – 9 h	
Solar Charge (500 W*):	8 – 9 h	* not included
Charge Input Voltage:	16 V – 60 V DC	

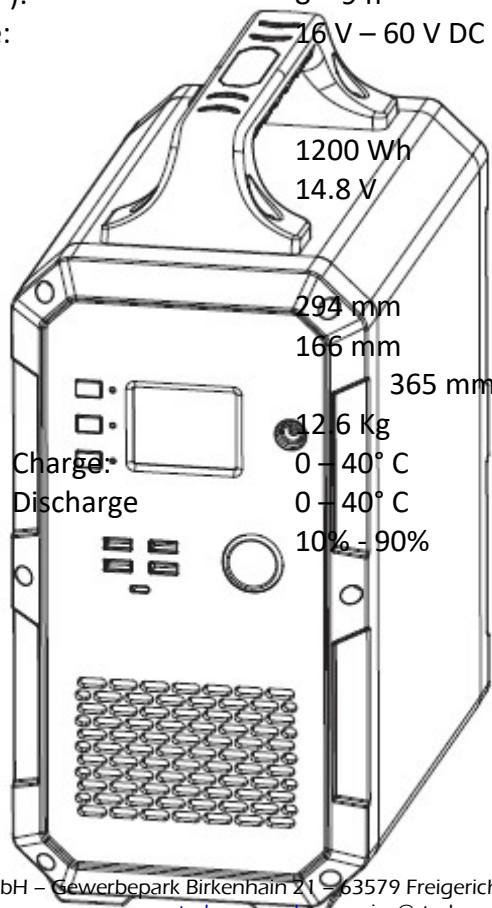
##### Lithium-Ion-Battery

Battery Capacity:	1200 Wh
Battery Voltage:	14.8 V

##### General

Length:	294 mm
Width:	166 mm
Height:	365 mm
Weight:	12.6 Kg
Environment:	Charge: 0 – 40° C
	Discharge: 0 – 40° C
Humidity:	10% - 90%

##### Design:



**Delivered accessories:**

160 W DC charger  
Solar charging cable

December 2018